

TWILIGHT COLOR STAR MODULE

SPECIFICATION

PROJECT	DATE
TYPE	QTY



KEY FEATURES:

- 12 VDC Power
- Fiber Port (supports 256 fibers)
- 16 Programs*
- RS-232 Serial Controllable
- Stand Alone Mode – Dip Switch Program
- Optional EpiX WiFi required w/ 3rd Party Control
- Remote Momentary Switch Ready (*Sold Separately*)

* Refer to module control reference sheet

If you plan to have more than one effect, we suggest our addressable modules so you can control each effect separately.

BENEFITS:

- Digital Electronics
- Compact Design
- Quiet Operation (no fan)
- No Moving Parts!
- Long Life LED's
- Low Wattage



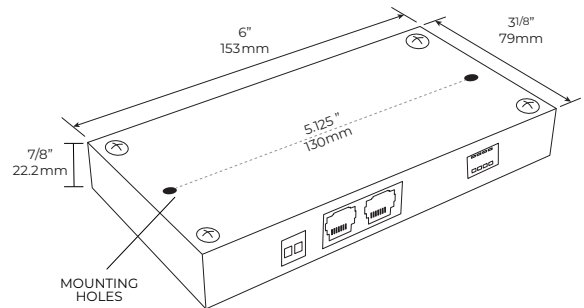
EpiXsky's **TWILIGHT COLOR STAR MODULE** is designed to be a star kit or a custom effect kit.

With this module you can create a simple colorful starfield and have the choice of iridescent, random, full or a single color starfield.

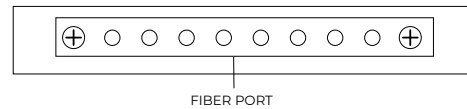
These are programmable by dip switch settings or RS-232 third party controllers such as Centro or Control 4.

If you don't already own a third party controller, we suggest downloading our free EPIX app from the app store for our custom programs to get the most out of your stars.

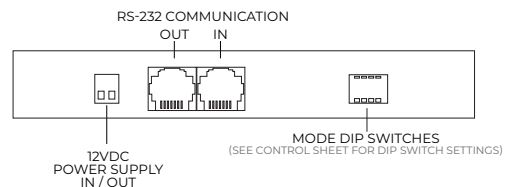
TECHNICAL INFO:



FRONT



BACK



ORDERING

MODEL	RS-232 CABLE LENGTH	POWER	FIBER HEAD
TCSM	-	-	-
Color Stars with 16 built in programs	10 - 10ft 35 - 35ft	N - none 20 - 20W 40 - 40W 60 - 60W 100 - 100W 150 - 150W 320 - 320W	STARS 1.6 - 1' 6" 3.6 - 3' 6" 5.6 - 5' 6" 10 - 10'

See Power requirements (page 2)

See Length Guide for application requirement (page 2)

ADD-ONS



- WiFi** - WiFi Interface (*required for 3rd party control*)(link required w/ WiFi)
- LINK** - Communicator for Wifi Interface (*required for 3rd party control*)
- ADSR** - Addressor (*for multi-room control*)
- RGB Mini** - RGB Mini (*for rgb ambient cove lighting*)
- ADVP** - Advanced-pro (*for rgbw cove lighting and advanced control*)
- DISTBD**- Distribution Board (*streamlines RS-232 communication*)
- RMS** - Remote Momentary Switch (*for simple on/off*)
- DB** - Drill Bits (*2 pack*)
- FG** - Fiber Glue (*adheres fibers to surface*)

V. 211 | Copyright © 2021, Impact Lighting Inc. All Rights Reserved

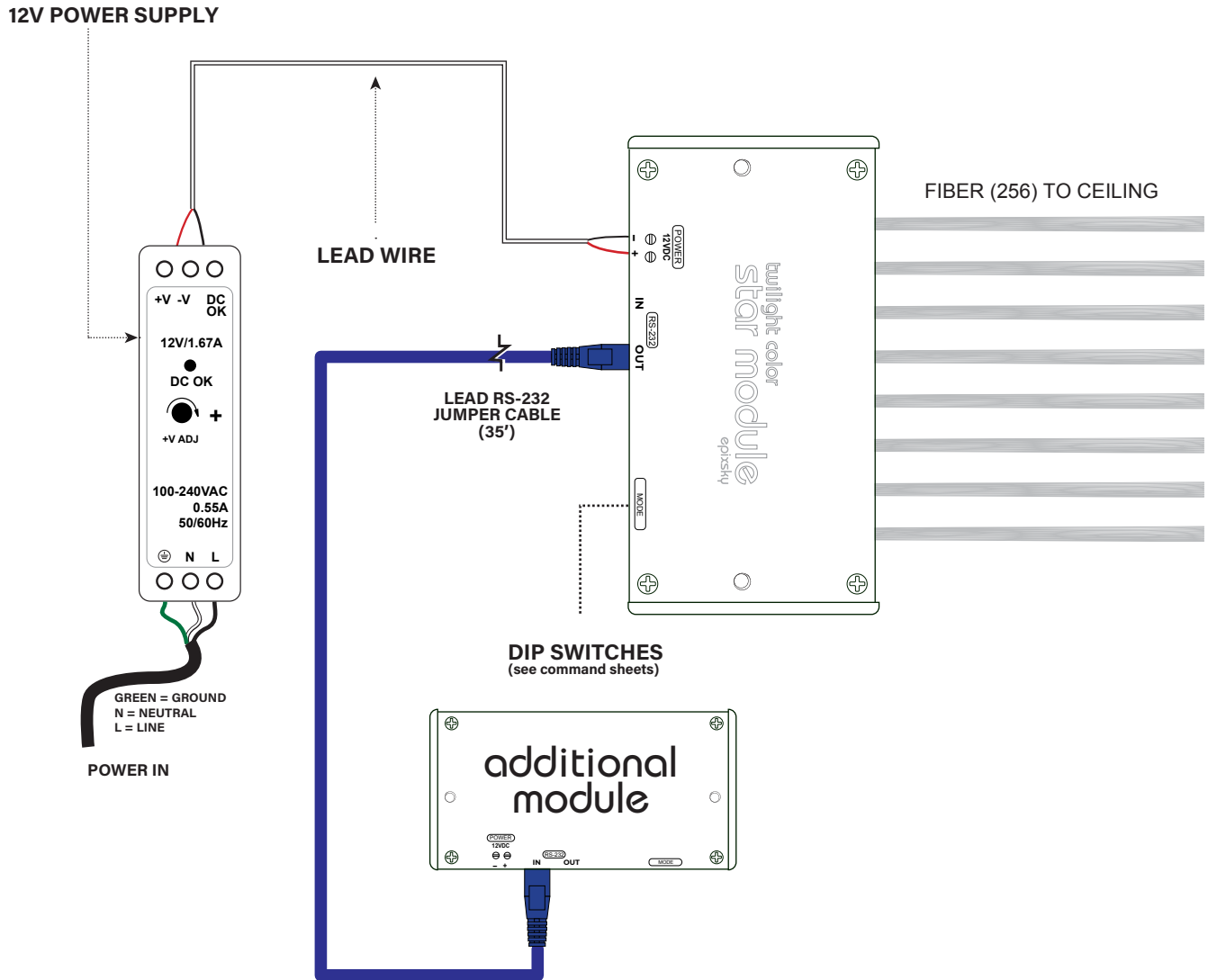


A Division on Impact Lighting Inc.

TWILIGHT COLOR
STAR MODULE

STAND ALONE USE

WIRING DIAGRAM



STARS FIBER LENGTH CHART

2'x2' Panel / Area	1.6"
2'x4' Panel / Area	3'6"
4'x4' Panel / Area	5'6"
4'x8' Panel / Area	10'

POWER SUPPLY CHART

20W	5-6 modules
40W	12-13 modules
60W	19 modules
100W	32-33 modules
150W	105-106 modules

Every 13th module will need a power boost.
Use another lead wire and connect from your power supply to the power input on your module.

