

SPECIFICATION  
**ADDRESSOR**

INDIVIDUAL UNIVERSE ADDRESS MODULE

PROJECT	DATE
TYPE	QTY



**ADDRESSOR**

**KEY FEATURES:**

- 99 different address capability
- 12VDC
- Works with EPic WiFi or 3rd party controllers such as Control 4, Savant, etc...

**THE ADDRESSOR ALLOWS YOU TO AUTOMATE EACH AND EVERY EPIX EFFECT YOU HAVE IN YOUR HOME, NO MATTER THE AMOUNT!**

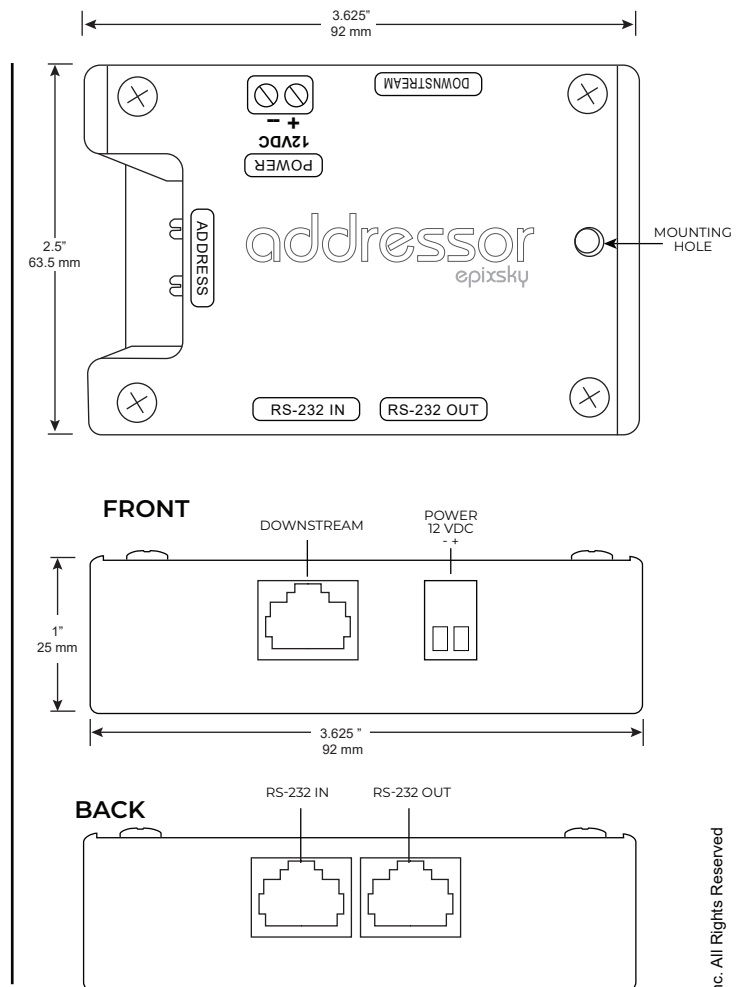
**ONLY THE ADDRESSOR GIVES YOU THE FLEXIBILITY TO COMPLETELY CONTROL EACH UNIVERSE IN EACH ROOM**



**THE EPIX ADDRESSOR** the key to designing your custom universe. The Addressor is exclusively for the EPIX star system modules and kits.

Designed for homes with star ceiling and effects in multiple rooms. The addressor allows you to control each room / universe independently.

EG: Turn off the fireworks in the kids bedroom while leaving on the stars on at 50% at bedtime, then turn on the stars and meteor shower in the home theater for a late night movie.



**ORDERING**

MODEL

**ADDRESSOR**

ADDRESSOR

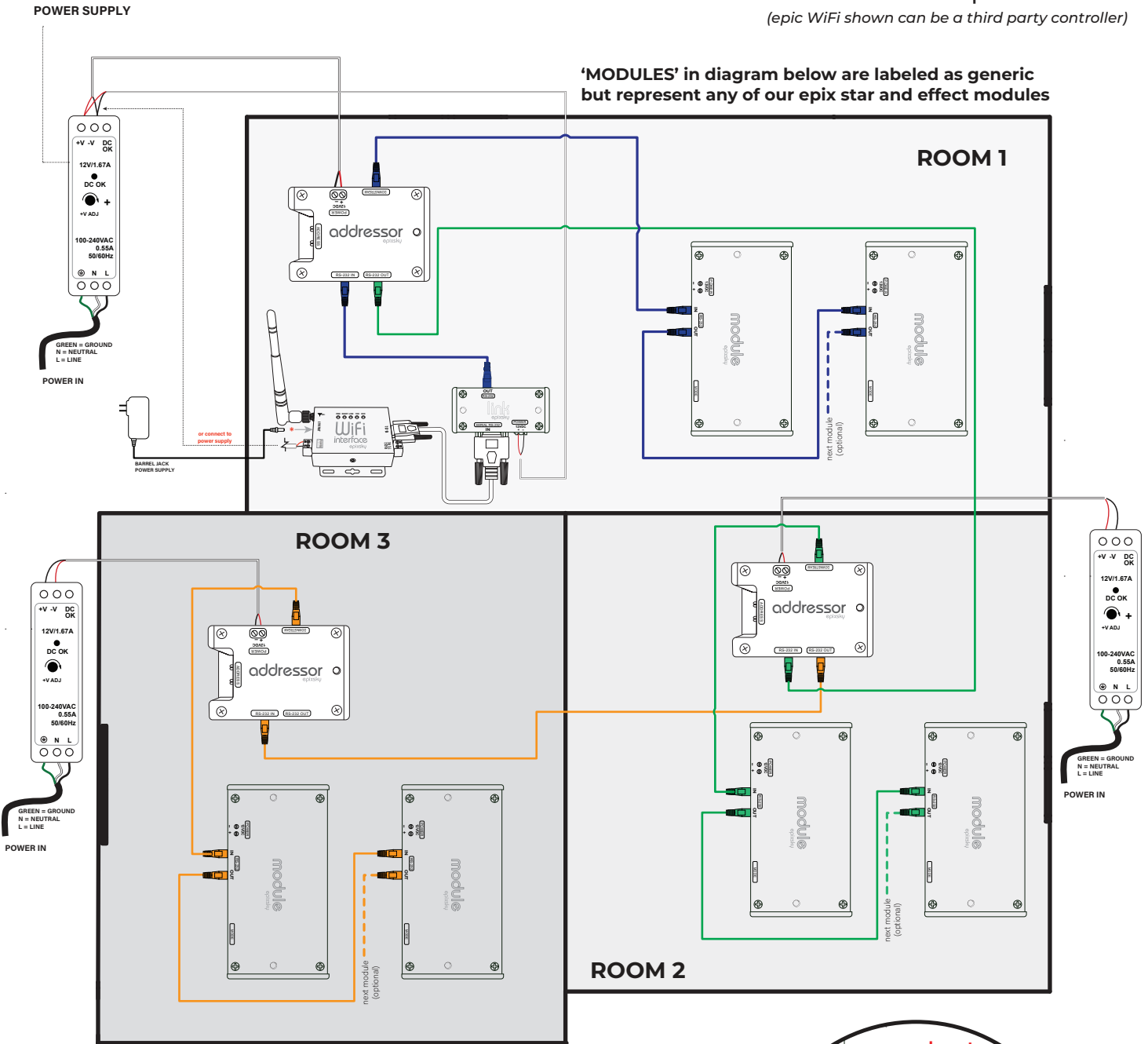
**CAN BE USED IN CONJUNCTION WITH:**

- All Epix products
- 3rd party controllers



Addressors in separate rooms  
*(epic WiFi shown can be a third party controller)*

'MODULES' in diagram below are labeled as generic but represent any of our epic star and effect modules

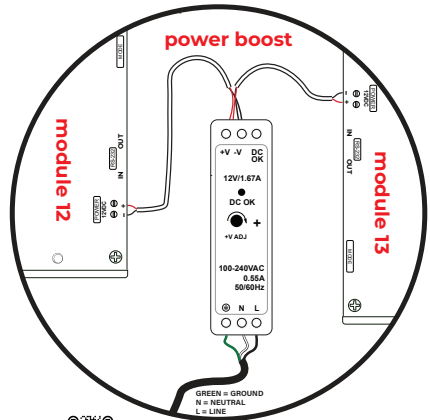


**RJ45 Cable colors in this diagram are for differentiation only. You may have multiple modules in one room which will determine which power supply you need. Refer to power supply chart.**

**POWER SUPPLY CHART**

20W	5-6 modules
40W	12-13 modules
60W	19 modules
100W	32-33 modules
120W	105-106 modules

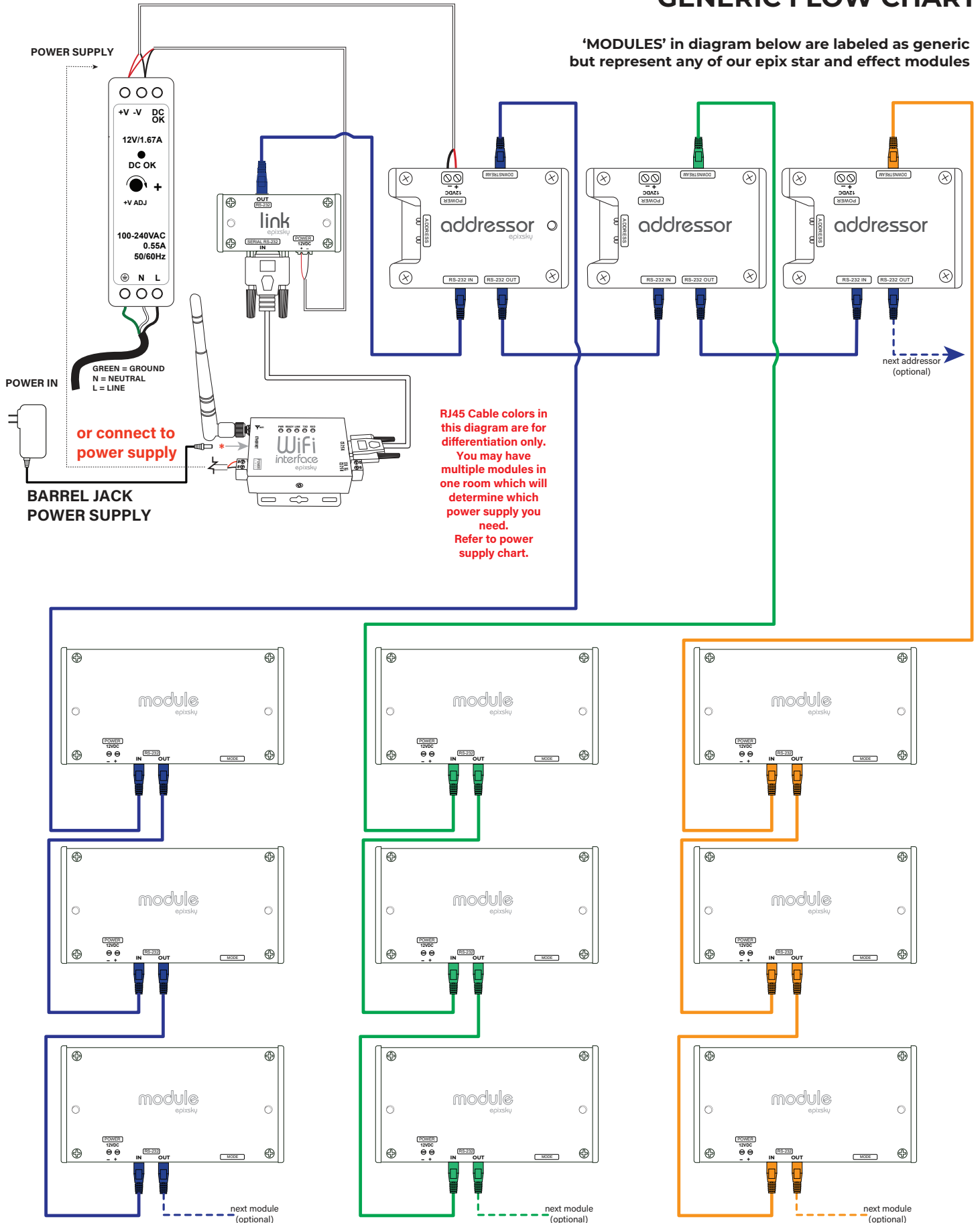
**Every 13th module will need a power boost. Use another lead wire and connect from your power supply to the power input on your module.**



# WIRING DIAGRAM ADDRESSOR

## THIRD PARTY CONTROL GENERIC FLOW CHART

'MODULES' in diagram below are labeled as generic but represent any of our epix star and effect modules

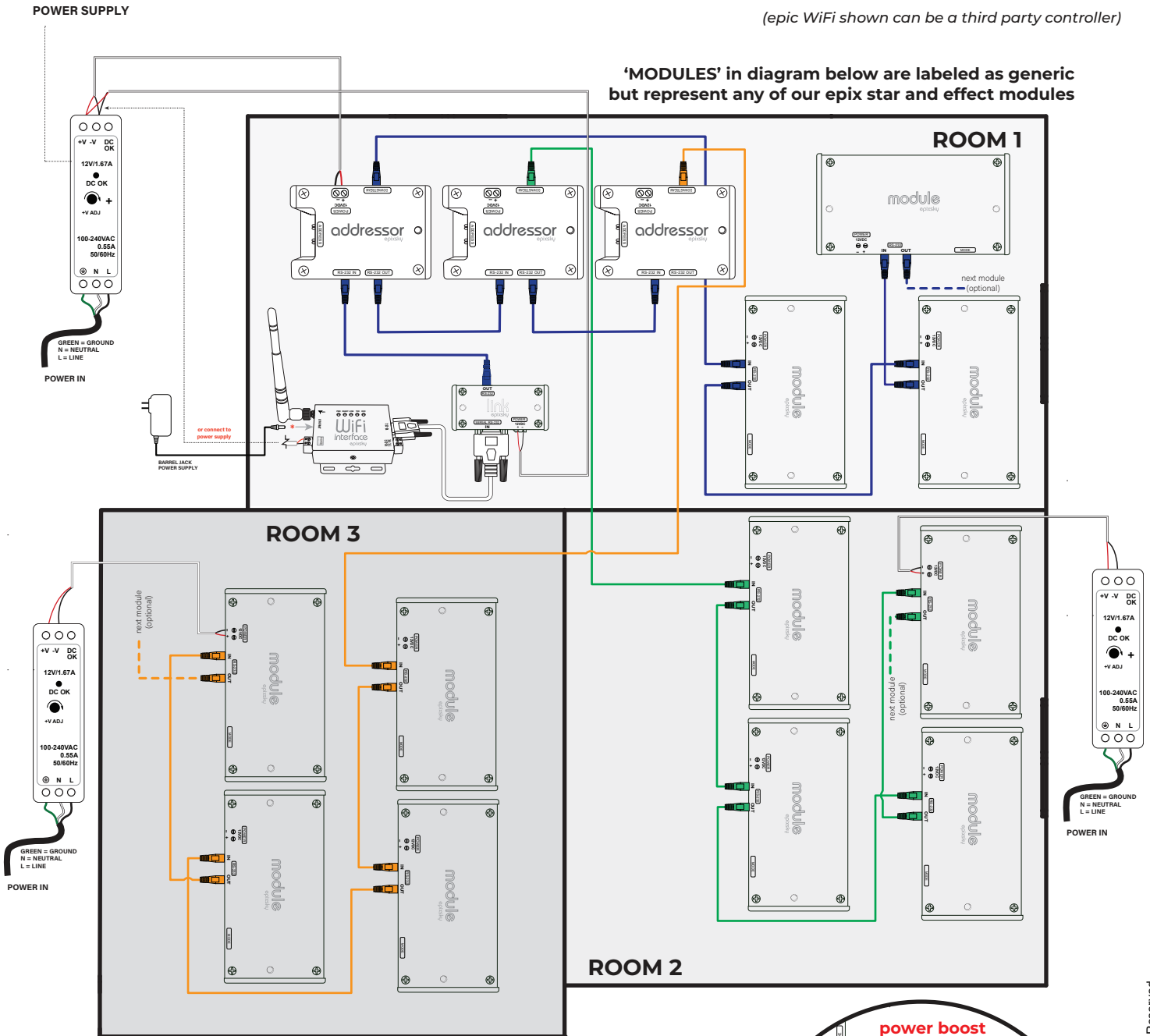


WIRING DIAGRAM  
**ADDRESSOR**  
 ROOM SCENARIO

**THIRD PARTY CONTROL**  
**SCENARIO 2**

Addressors one room

(epic WiFi shown can be a third party controller)



'MODULES' in diagram below are labeled as generic but represent any of our epic star and effect modules

RJ45 Cable colors in this diagram are for differentiation only. You may have multiple modules in one room which will determine which power supply you need. Refer to power supply chart.

**POWER SUPPLY CHART**

20W	5-6 modules
40W	12-13 modules
60W	19 modules
100W	32-33 modules
120W	105-106 modules

Every 13th module will need a power boost. Use another lead wire and connect from your power supply to the power input on your module.

