

# ADDRESSABLE CONSTELLATION MODULE

## SPECIFICATION

PROJECT	DATE
TYPE	QTY

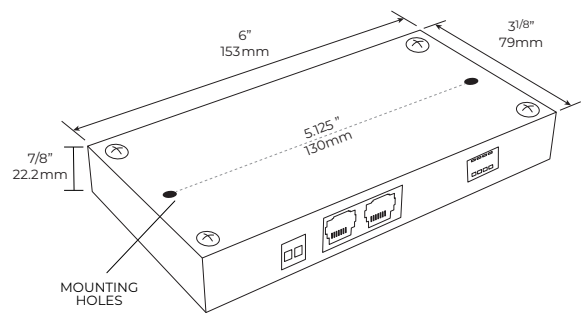


EpiXsky's **ADDRESSABLE CONSTELLATION MODULE** creates beautiful twinkling constellations for your star ceiling and is most effective with multiple modules that can be controlled individually to go off randomly, timed or manually.

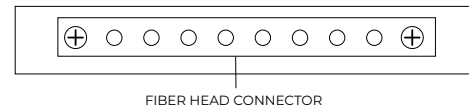
The addressable constellation module is programmable by dip switch settings, however RS-232 controllers are recommended for more options. (third party such as Centro or Control 4 are compatible with our EpiX system.)

We suggest using our EpiX Hub & downloading our free EPIX Star Control app to control your constellation and other EpiX star module features from the app store.

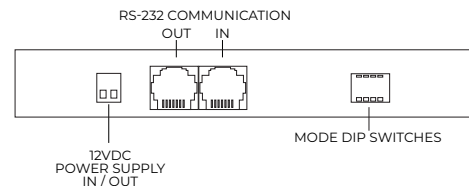
### TECHNICAL INFO:



### FRONT



### BACK



### KEY FEATURES:

- 12 VDC Power
- Fiber Port (supports 256 fibers)
- 7 Programs\*
- RS-232 Serial Controllable
- Stand Alone Mode – Dip Switch Program
- Optional EpiX Hub required for WiFi/Bluetooth Network Connectivity
- Remote Momentary Switch Ready (Sold Separately)

\* Refer to module control reference sheet

Build your perfect universe by adding multiple shooting stars, fireworks and meteor showers

### BENEFITS:

- Digital Electronics
- Compact Design
- Quiet Operation (no fan)
- No Moving Parts!
- Long Life LED's
- Low Wattage



### ORDERING

MODEL	RS-232 CABLE LENGTH	POWER	FIBER HEAD
<b>ASCM</b>			
<b>Addressable Constellation Module w/4 built in Programs</b>	10 - 10ft	N - none	1.6 - 1' 6"
	35 - 35ft	20 - 20W	3.6 - 3' 6"
		40 - 40W	5.6 - 5' 6"
		60 - 60W	10 - 10'
		100 - 100W	
		150 - 150W	
	320 - 320W		

See Length Guide for application requirement (page 2)

See Power requirements (page 2)

### ADD-ONS



- HUB** - WiFi/Bluetooth Network Connectivity Module (required for 3rd party control)
- ADSR** - Addressor (for multi-room control)
- RGB Mini** - RGB Mini (for rgb ambient cove lighting)
- ADVP** - Advanced-pro (for rgbw cove lighting and advanced control)
- DISTBD**- Distribution Board (streamlines RS-232 communication) **RMS** - Remote Momentary Switch (for simple on/off)
- DB** - Drill Bits (2 pack)
- FG** - Fiber Glue (adheres fibers to surface)

V.0424 Copyright© 2024, Impact Lighting Inc. All Rights Reserved



A Division of Impact Lighting Inc.



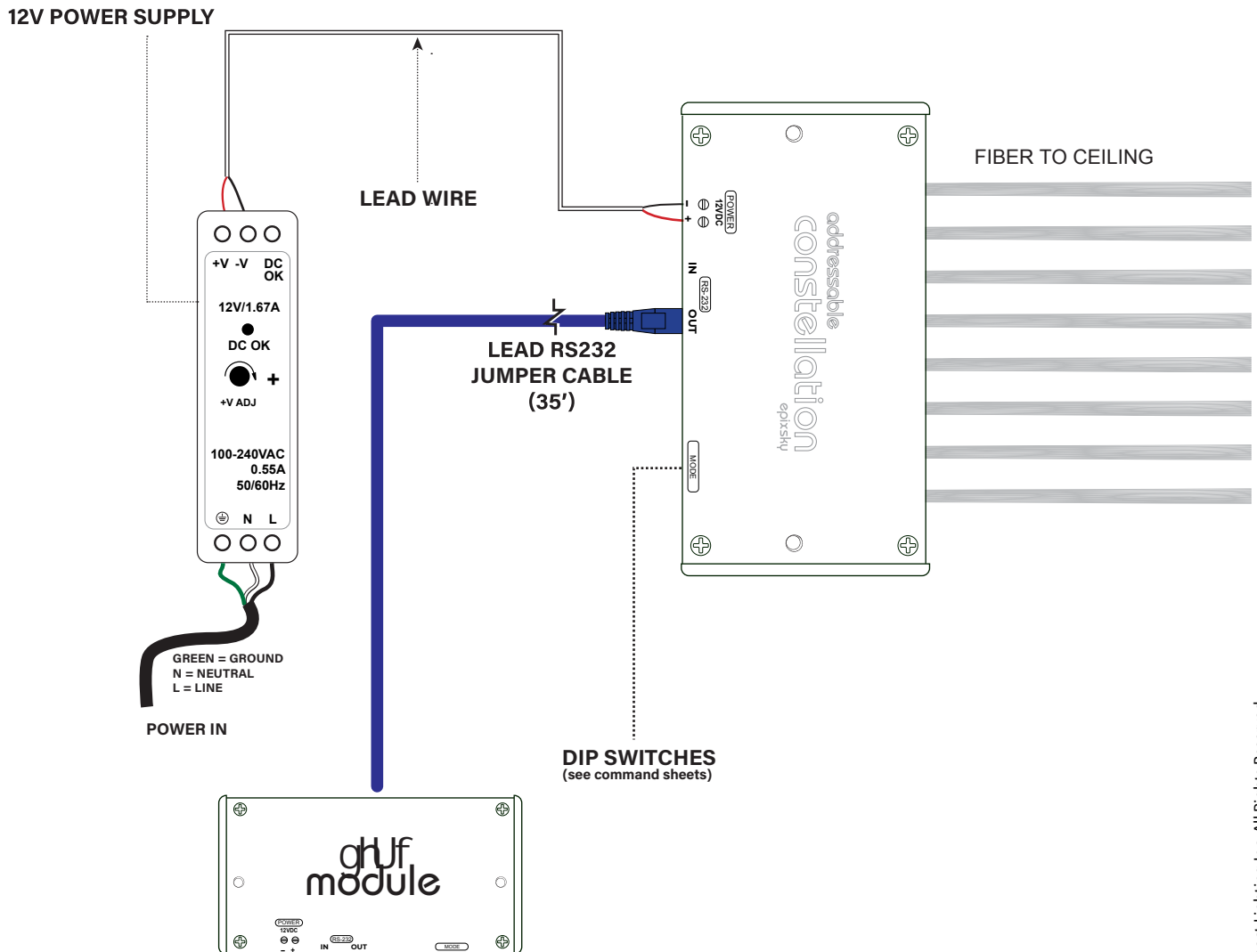
2814 Silver Star Rd., Orlando, Florida 32808 • Ph. 1-800-507-5714 • Email: sales@epixsky.com

epixsky.com

# ADDRESSABLE CONSTELLATION MODULE

## STAND ALONE USE

### WIRING DIAGRAM



**BUILD YOUR UNIVERSE BY ADDING  
ADDITIONAL ADDRESSABLE MODULES  
FOR THE ULTIMATE IMPACT AND CONTROL!**

#### CONSTELLATION FIBER LENGTH CHART

2'x2' Panel / Area	1.6"
2'x4' Panel / Area	3'6"
4'x4' Panel / Area	5'6"
4'x8' Panel / Area	10'

#### POWER SUPPLY CHART

20W	5-6 modules
40W	12-13 modules
60W	19 modules
100W	32-33 modules
150W	105-106 modules

Every 13th module will need a power boost.  
Use another lead wire and connect from your  
power supply to the power input on your module.

V.0424 Copyright© 2024, Impact Lighting Inc. All Rights Reserved

epiXsky

A Division of Impact Lighting Inc.



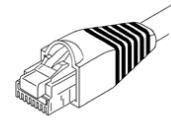
2814 Silver Star Rd., Orlando, Florida 32808 • Ph. 1-800-507-5714 • Email: sales@epixsky.com

epixsky.com

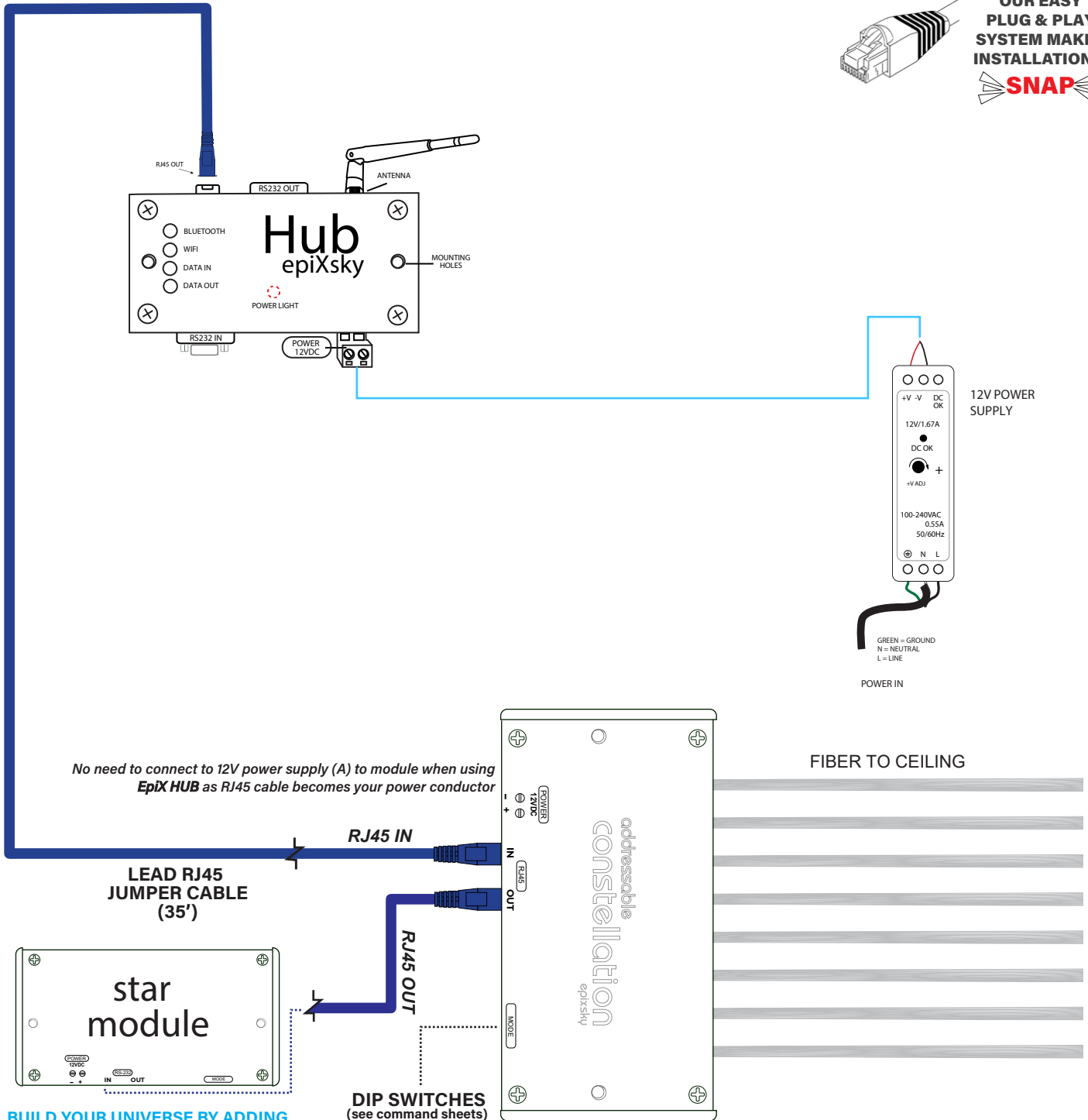
# ADDRESSABLE CONSTELLATION MODULE

WIRING DIAGRAM

## THIRD PARTY CONTROL



OUR EASY  
PLUG & PLAY  
SYSTEM MAKES  
INSTALLATION A  
**SNAP**



**BUILD YOUR UNIVERSE BY ADDING ADDITIONAL ADDRESSABLE MODULES FOR THE ULTIMATE IMPACT AND CONTROL!**

**NOTE:**  
SEE COMMAND SHEET FOR DIP SWITCH SETTINGS TO GET YOUR DESIRED EFFECT AND CORRECT SETTINGS FOR 3RD PARTY CONTROL OPTIONS.

**GOOD TO KNOW!**  
YOU CAN ADD AND DAISY CHAIN UP TO 10 MODULES USING THE SAME 25W POWER SUPPLY. MORE THAN 18 AND YOU WILL NEED A LARGER POWER SUPPLY (SEE PAGE #?)

V.0424 Copyright© 2024, Impact Lighting Inc. All Rights Reserved