

ADDRESSABLE SHOOTING STAR MODULE

SPECIFICATION

PROJECT	DATE
TYPE	QTY



EpiXsky's **ADDRESSABLE SHOOTING STAR MODULE** creates animated shooting star effects for your star ceiling and is most effective with multiple modules that can be controlled individually to go off randomly timed or manually.

The addressable shooting star module is programmable by dip switch settings, however RS-232 controllers are recommended for more options. (third party such as Centro or Control 4 are compatible with our epix system.)

We suggest using our EpiX Hub & downloading our free EPIX Star Control app to control your shooting stars and other Epix star module features from the app store.

KEY FEATURES:

- 12 VDC Power
- Fiber Port (supports 256 fibers)
- 7 Programs*
- RS-232 Serial Controllable
- Stand Alone Mode – Dip Switch Program
- Optional EpiX Hub required for WiFi/Bluetooth Network Connectivity
- Remote Momentary Switch Ready (Sold Separately)

* Refer to module control reference sheet

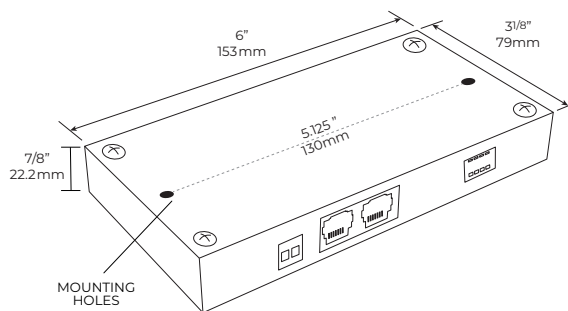
Build your perfect universe by adding multiple shooting stars, fireworks, constellations and meteor showers

BENEFITS:

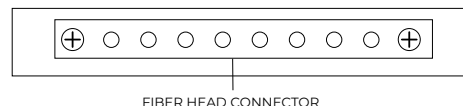
- Digital Electronics
- Compact Design
- Quiet Operation (no fan)
- No Moving Parts!
- Long Life LED's
- Low Wattage



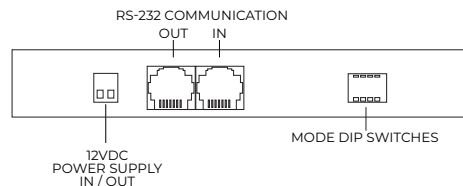
TECHNICAL INFO:



FRONT



BACK



ORDERING

MODEL	RS-232 CABLE LENGTH	POWER	FIBER HEAD
ASSM			
Addressable Shooting Star Module w/6 built in Programs	10 - 10ft	N - none	SHOOTING STAR
	35 - 35ft	20 - 20W	1.6 - 1' 6"
		40 - 40W	3.6 - 3' 6"
		60 - 60W	5.6 - 5' 6"
		100 - 100W	10 - 10'
		150 - 150W	
	320 - 320W		

See Length Guide for application requirement (page 2)

See Power requirements (page 2)

ADD-ONS

- HUB** - WiFi/Bluetooth Network Connectivity Module (required for 3rd party control)
- ADSR** - Addressor (for multi-room control)
- RGB Mini** - RGB Mini (for rgb ambient cove lighting)
- ADVP** - Advanced-pro (for rgbw cove lighting and advanced control)
- DISTBD** - Distribution Board (streamlines RS-232 communication)
- RMS** - Remote Momentary Switch (for simple on/off)
- DB** - Drill Bits (2 pack)
- FG** - Fiber Glue (adheres fibers to surface)



A Division of Impact Lighting Inc.



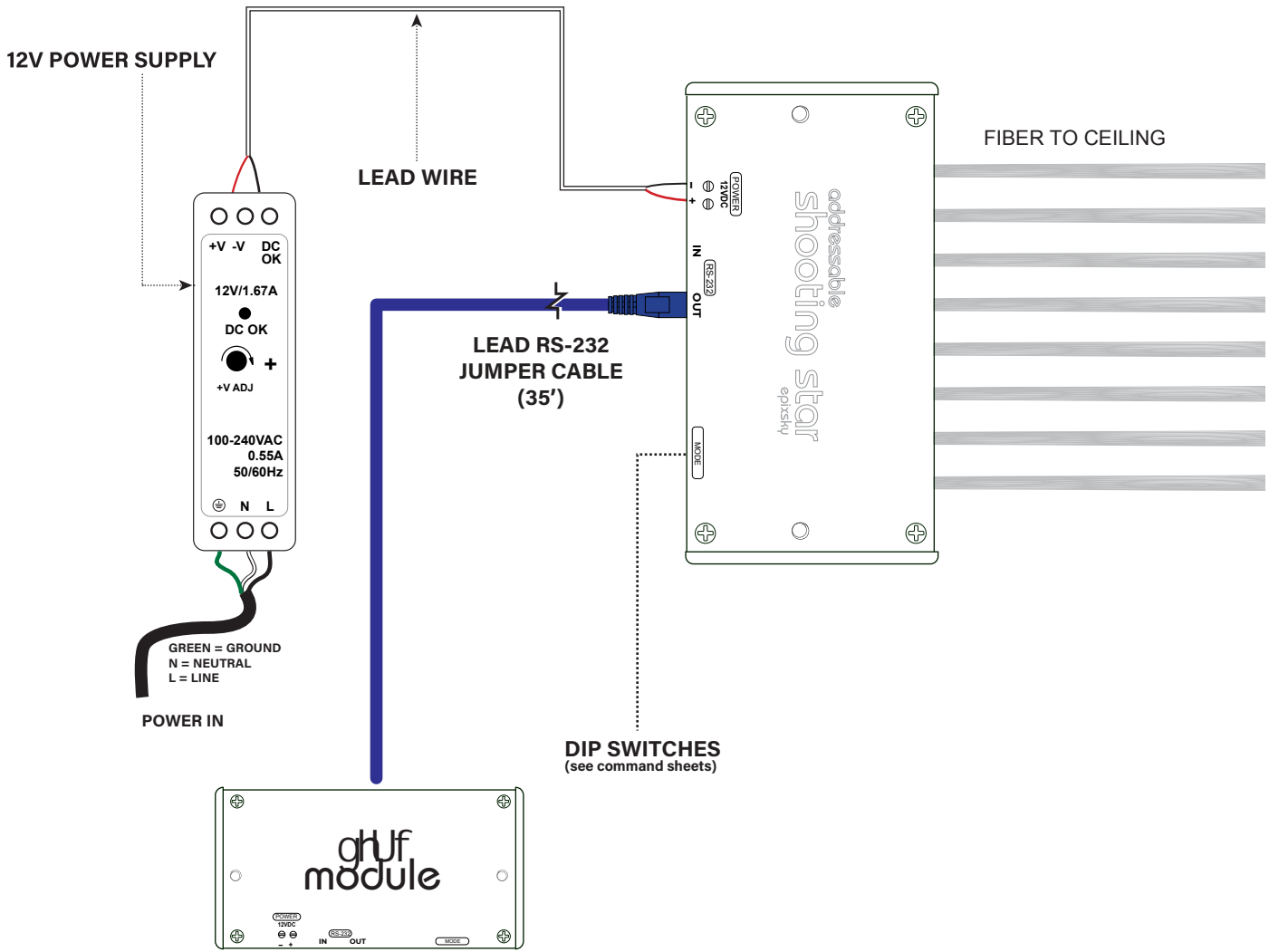
2814 Silver Star Rd., Orlando, Florida 32808 • Ph. 1-800-507-5714 • Email: sales@epixsky.com

epixsky.com

ADDRESSABLE SHOOTING STAR MODULE

STAND ALONE USE

WIRING DIAGRAM



BUILD YOUR UNIVERSE BY ADDING ADDITIONAL ADDRESSABLE MODULES FOR THE ULTIMATE IMPACT AND CONTROL!

SHOOTING STAR FIBER LENGTH CHART	
2'x2' Panel / Area	1.6"
2'x4' Panel / Area	3'6"
4'x4' Panel / Area	5'6"
4'x8' Panel / Area	10'

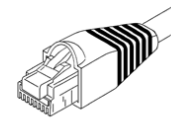
POWER SUPPLY CHART	
20W	5-6 modules
40W	12-13 modules
60W	19 modules
100W	32-33 modules
120W	105-106 modules

Every 13th module will need a power boost. Use another lead wire and connect from your power supply to the power input on your module.

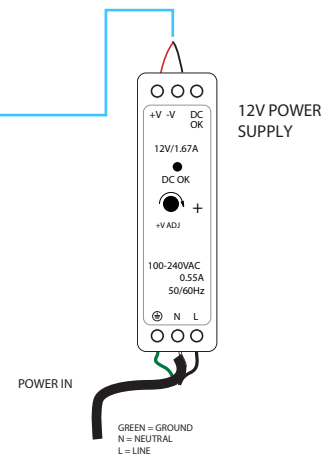
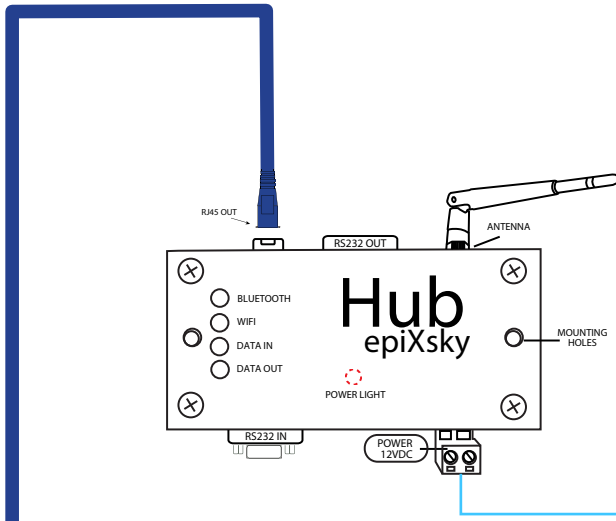
ADDRESSABLE SHOOTING STAR MODULE

WIRING DIAGRAM

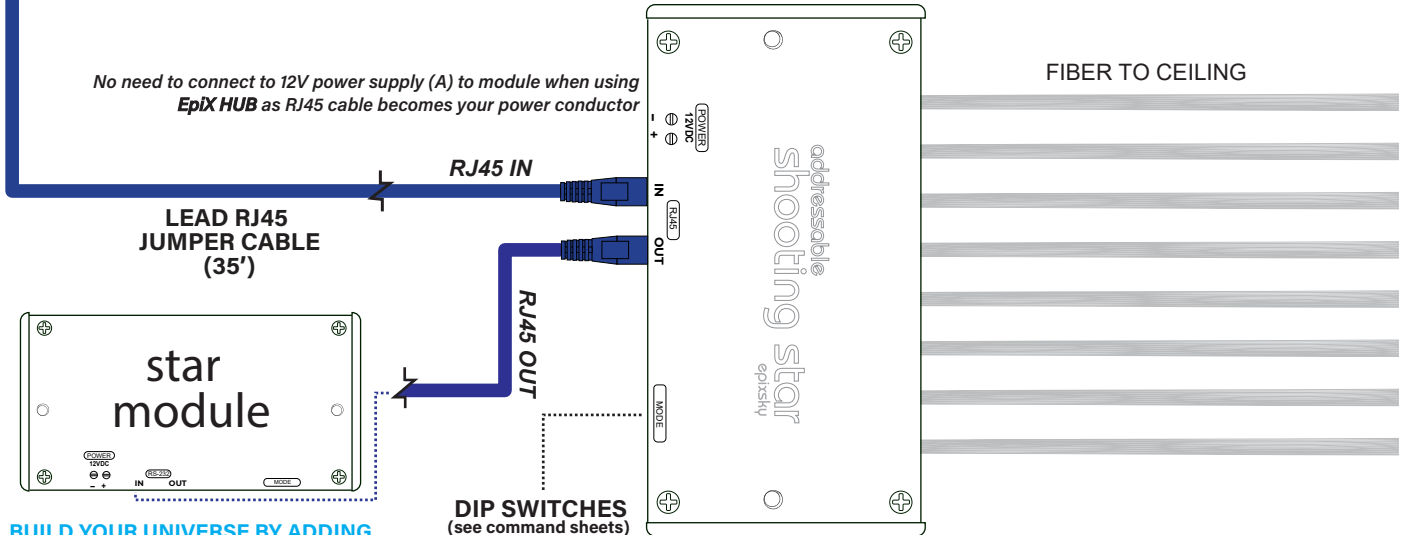
THIRD PARTY CONTROL



OUR EASY PLUG & PLAY SYSTEM MAKES INSTALLATION A **SNAP**



No need to connect to 12V power supply (A) to module when using **EpiX HUB** as RJ45 cable becomes your power conductor



BUILD YOUR UNIVERSE BY ADDING ADDITIONAL ADDRESSABLE MODULES FOR THE ULTIMATE IMPACT AND CONTROL!

DIP SWITCHES
(see command sheets)

NOTE:
SEE COMMAND SHEET FOR DIP SWITCH SETTINGS TO GET YOUR DESIRED EFFECT AND CORRECT SETTINGS FOR 3RD PARTY CONTROL OPTIONS.

GOOD TO KNOW!
YOU CAN ADD AND DAISY CHAIN UP TO 10 MODULES USING THE SAME 25W POWER SUPPLY. MORE THAN 18 AND YOU WILL NEED A LARGER POWER SUPPLY (SEE PAGE #?)

V.0424 Copyright© 2024, Impact Lighting Inc. All Rights Reserved

epiXsky

A Division of Impact Lighting Inc.



2814 Silver Star Rd., Orlando, Florida 32808 • Ph. 1-800-507-5714 • Email: sales@epixsky.com

epixsky.com