

# TWILIGHT COLOR STAR MODULE

## SPECIFICATION

PROJECT	DATE
TYPE	QTY



### KEY FEATURES:

- 12 VDC Power
- Fiber Port (supports 256 fibers)
- 16 Programs\*
- RS-232 Serial Controllable
- Stand Alone Mode – Dip Switch Program
- Optional EpiX Hub required for WiFi/Bluetooth Network Connectivity
- Remote Momentary Switch Ready (Sold Separately)

\* Refer to module control reference sheet

If you plan to have more than one effect, we suggest our addressable modules so you can control each effect separately.

### BENEFITS:

- Digital Electronics
- Compact Design
- Quiet Operation (no fan)
- No Moving Parts!
- Long Life LED's
- Low Wattage



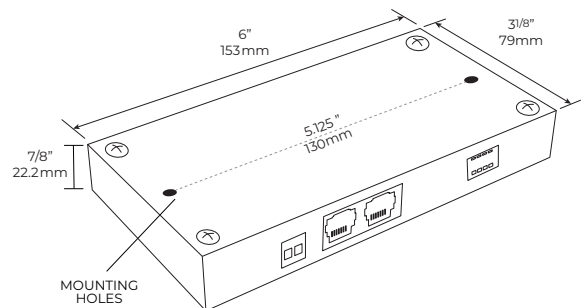
EpiXsky's **TWILIGHT COLOR STAR MODULE** is designed to be a star kit or a custom effect kit.

With this module you can create a simple colorful starfield and have the choice of iridescent, random, full or a single color starfield.

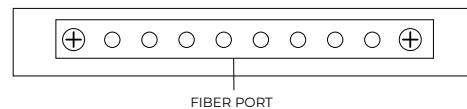
These are programmable by dip switch settings or RS-232 third party controllers such as Centro or Control 4.

If you don't already own a third party controller, We suggest using our EpiX Hub & downloading our free EPIX Star Control app from the app store for our custom programs to get the most out of your stars.

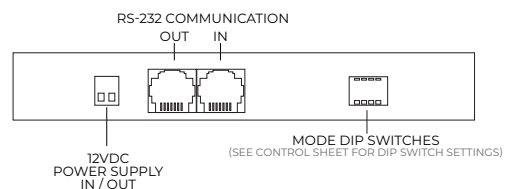
### TECHNICAL INFO:



### FRONT



### BACK



### ORDERING

MODEL	RS-232 CABLE LENGTH	POWER	FIBER HEAD
<b>TCSM</b>			
Color Stars with 16 built in programs	10 - 10ft 35 - 35ft	N - none 20 - 20W 40 - 40W 60 - 60W 100 - 100W 150 - 150W 320 - 320W	STARS 1.6 - 1' 6" 3.6 - 3' 6" 5.6 - 5' 6" 10 - 10'

See Power requirements (page 2)

See Length Guide for application requirement (page 2)

### ADD-ONS

- HUB** - WiFi/Bluetooth Network Connectivity Module (required for 3rd party control)
- ADSR** - Addressor (for multi-room control)
- RGB Mini** - RGB Mini (for rgb ambient cove lighting)
- ADVP** - Advanced-pro (for rgbw cove lighting and advanced control)
- DISTBD** - Distribution Board (streamlines RS-232 communication)
- RMS** - Remote Momentary Switch (for simple on/off)
- DB** - Drill Bits (2 pack)
- FG** - Fiber Glue (adheres fibers to surface)

V0424 Copyright © 2024, Impact Lighting Inc. All Rights Reserved



A Division of Impact Lighting Inc.



2814 Silver Star Rd., Orlando, Florida 32808 • Ph. 1-800-507-5714 • Email: sales@epixsky.com

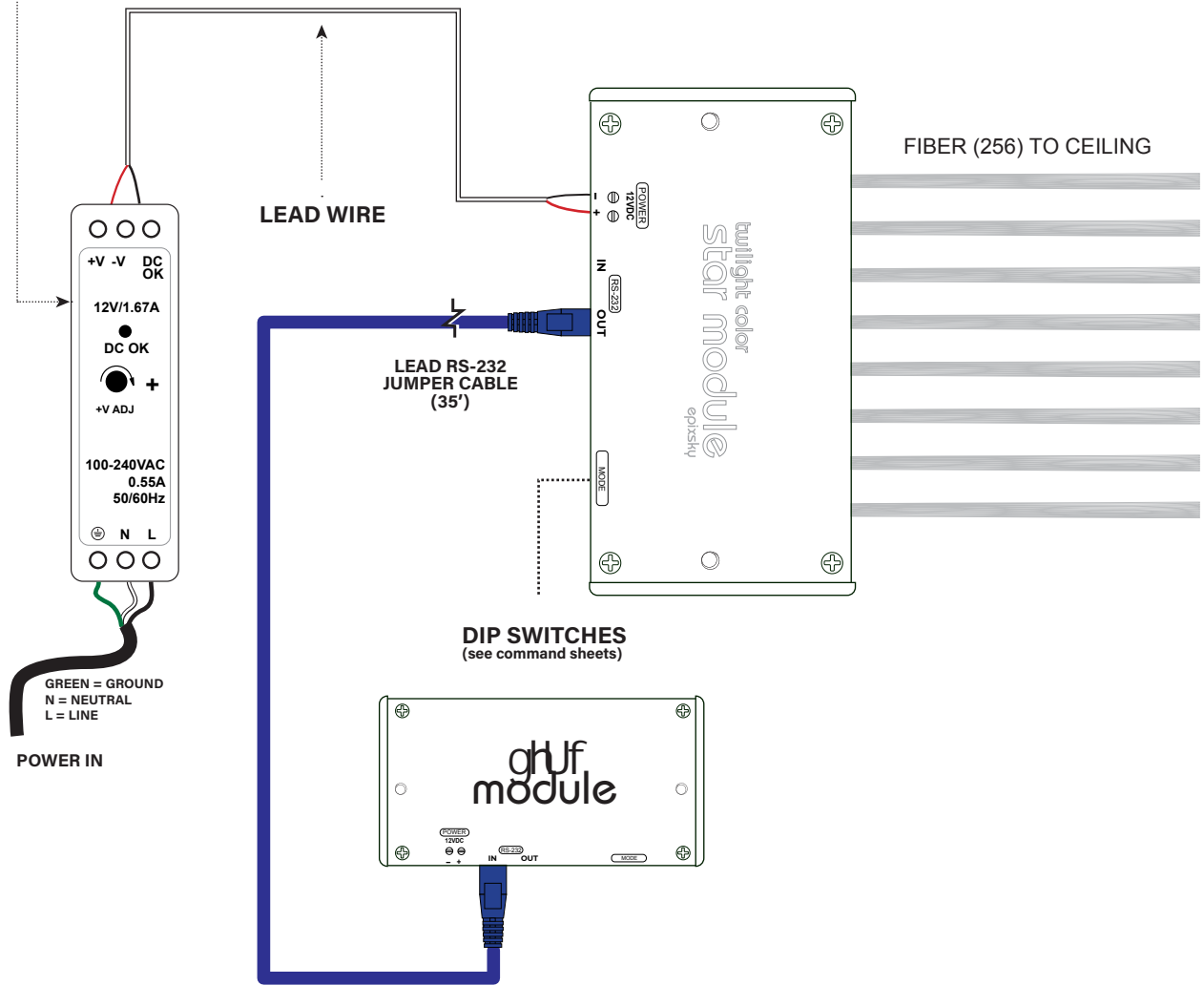
epixsky.com

TWILIGHT COLOR  
**STAR MODULE**

**STAND ALONE USE**

WIRING DIAGRAM

12V POWER SUPPLY



**STARS FIBER LENGTH CHART**

2'x2' Panel / Area	1.6"
2'x4' Panel / Area	3'6"
4'x4' Panel / Area	5'6"
4'x8' Panel / Area	10'

**POWER SUPPLY CHART**

20W	5-6 modules
40W	12-13 modules
60W	19 modules
100W	32-33 modules
150W	105-106 modules

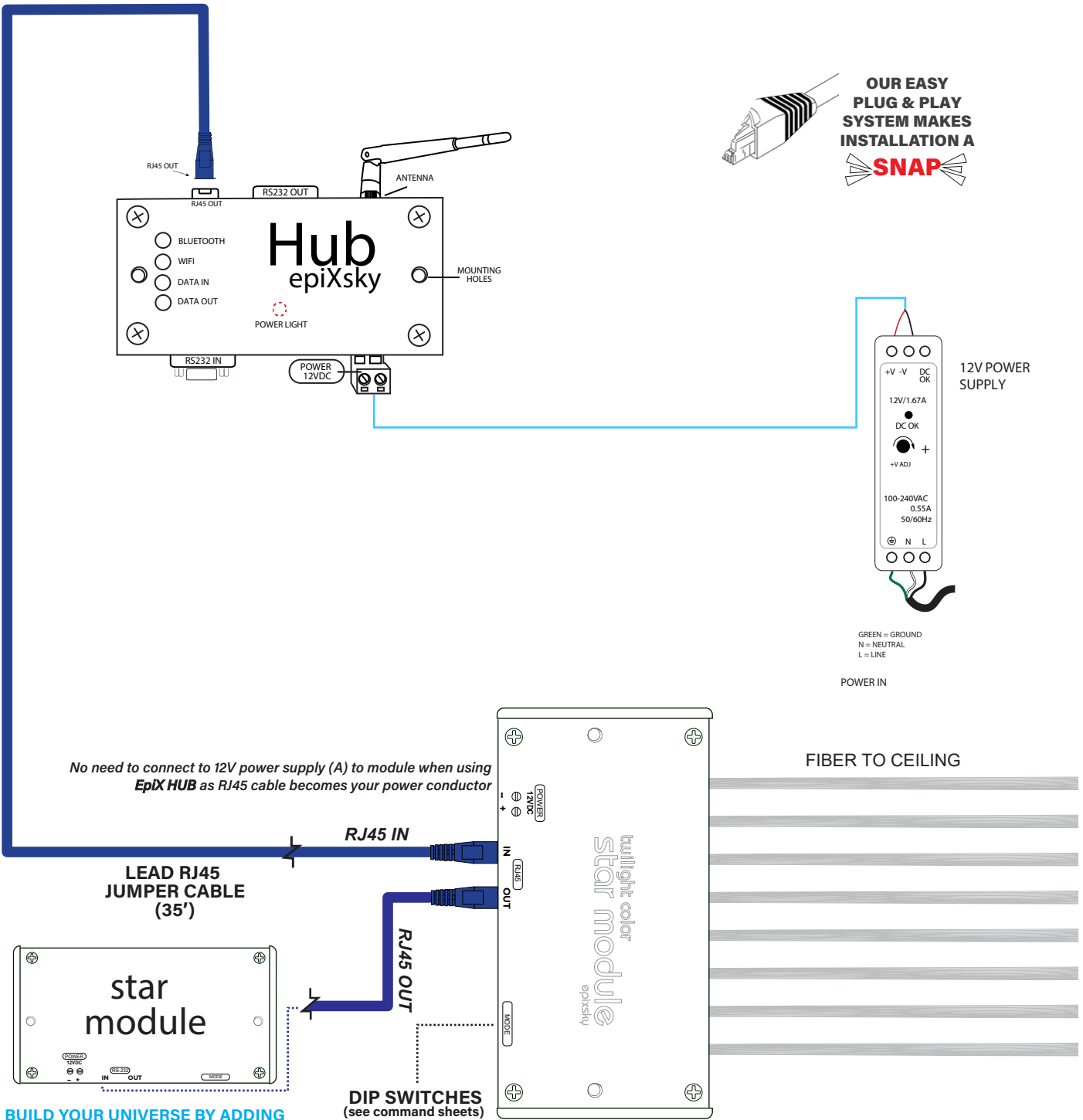
Every 13th module will need a power boost.  
Use another lead wire and connect from your power supply to the power input on your module.

V.0424 Copyright© 2024, Impact Lighting Inc. All Rights Reserved

# TWILIGHT COLOR STAR MODULE

## WIRING DIAGRAM

## THIRD PARTY CONTROL



**BUILD YOUR UNIVERSE BY ADDING ADDITIONAL ADDRESSABLE MODULES FOR THE ULTIMATE IMPACT AND CONTROL!**

**HELPFUL HINT:**  
IF ADDING MORE THAN ONE EFFECT TO YOUR CEILING SUCH AS FIREWORKS, SHOOTING STARS AND CONSTELLATIONS, CONSIDER OUR ADDRESSABLE MODULES SO YOU CAN CONTROL EACH EFFECT INDIVIDUALLY.

**NOTE:**  
SEE COMMAND SHEET FOR DIP SWITCH SETTINGS TO GET YOUR DESIRED EFFECT AND CORRECT SETTINGS FOR 3RD PARTY CONTROL OPTIONS.

**GOOD TO KNOW!**  
YOU CAN ADD AND DAISY CHAIN UP TO 10 MODULES USING THE SAME 25W POWER SUPPLY. MORE THAN 18 AND YOU WILL NEED A LARGER POWER SUPPLY (SEE PAGE #?)  
**\* ADVANCED USE**

To marry EPIX system with your home automation system, connect our WiFi Interface to your home modem.

V.0424 Copyright© 2024, Impact Lighting Inc. All Rights Reserved